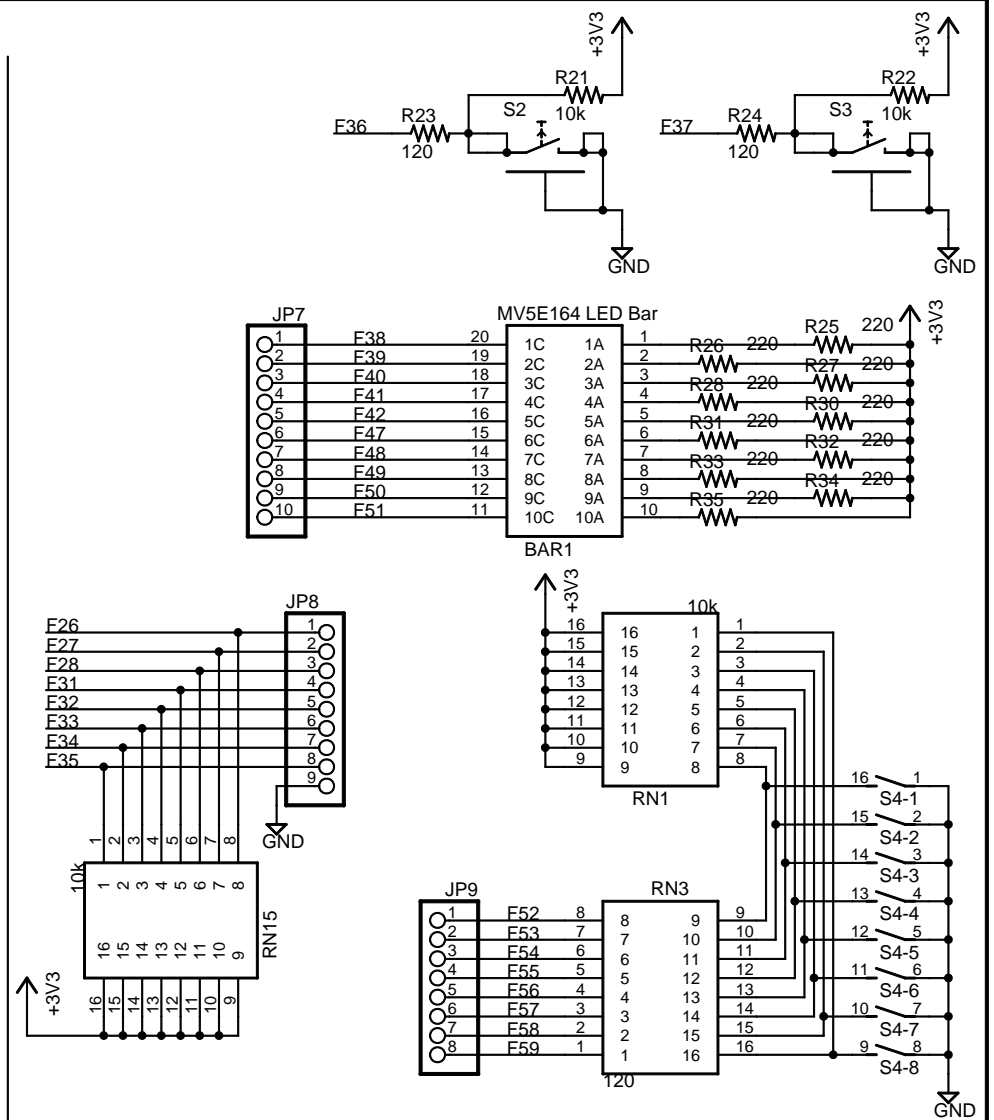
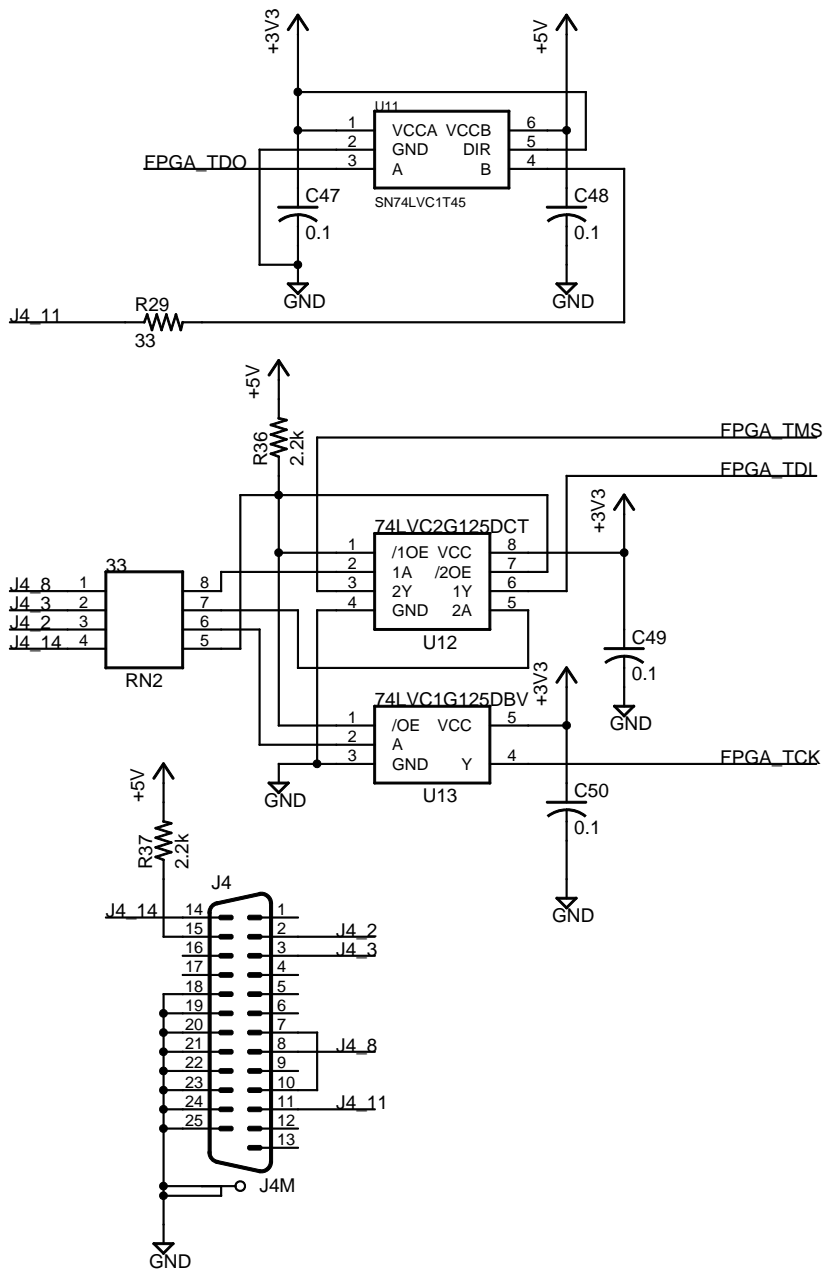
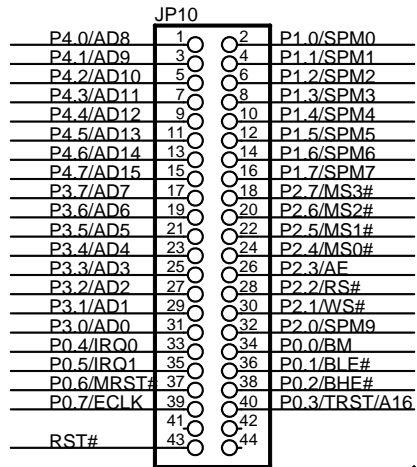


FPGA and Configuration Device	
TITLE: ece315arm	
Document Number:	REV:
Date: 3/16/2007 03:20:57p	Sheet: 3/5

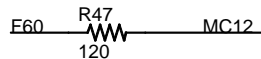
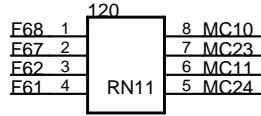
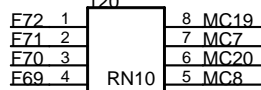
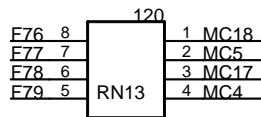
ByteBlaster-MV Emulation



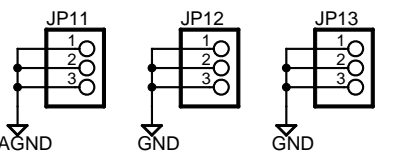
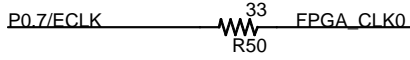
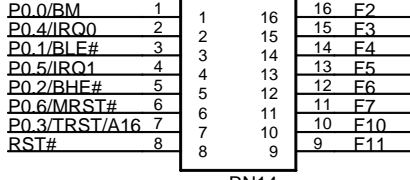
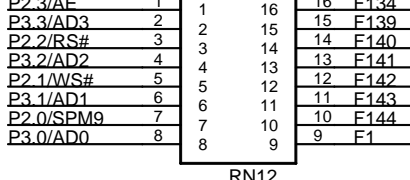
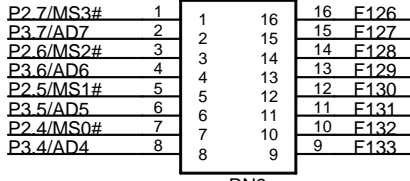
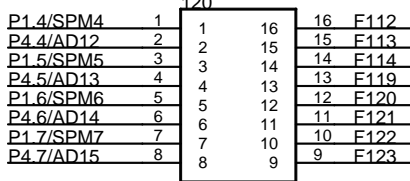
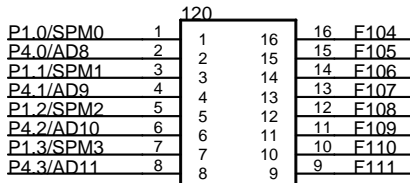
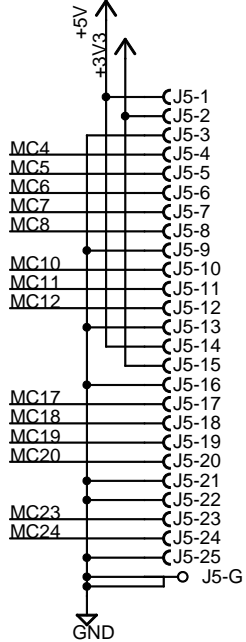
ByteBlaster-MV Emulation, Digital I/O	
TITLE: ece315arm	
Document Number:	REV: 1.0
Date: 3/16/2007 03:20:57p	Sheet: 4/5



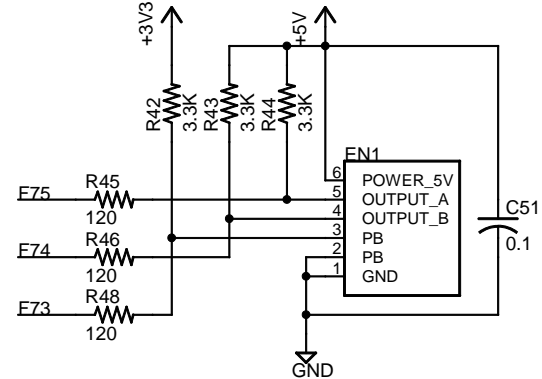
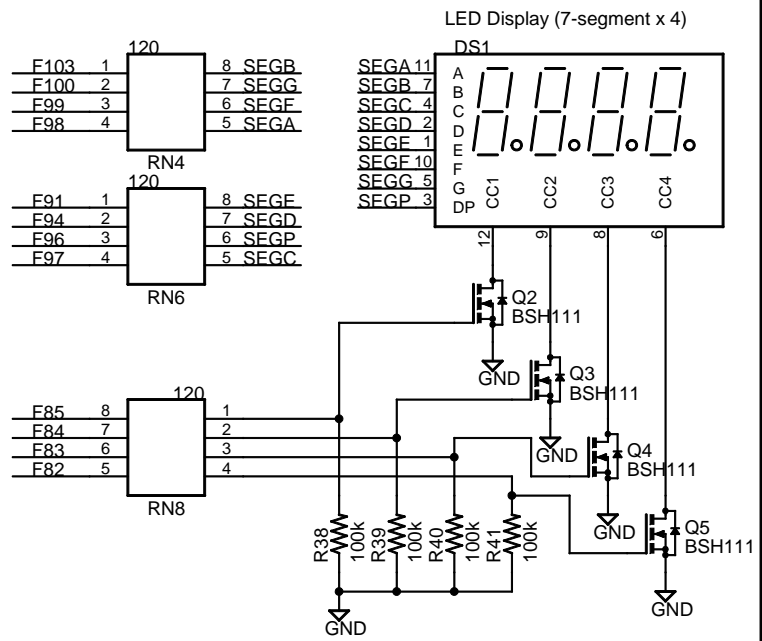
Digital I/O Header



Off-Board Interface



Scope Grounds



Rotary Encoder Interface

Digital I/O, LED Display, Encoder Interface

TITLE: ece315arm

Document Number:

REV:

Date: 3/16/2007 03:20:57p

Sheet: 5/5